



BRIEF INFORMATION

Auxiliary Brake Light LongLED 45 & LongLED 64
(2DA 012 596-...)

PRODUCT FEATURES

An attribute for individual design requirements

Exciting design and greater road safety – no problem with HELLA. Not only does light technology open all avenues to you in terms of innovation – we also provide you with the very latest design trends. The slim design of the new LED auxiliary brake lamp give it impressive appeal. The innovative HELLA LED light line, a style-defining design element, gives your vehicle a distinctive presence. It features exceptionally homogenous illumination, which provides exceptionally clear visibility as a brake light.

The innovative, state-of-the-art fiber optic technology conveys the brake signal from the LED-equipped central section to the volume endpoints and produces a distinctive appearance in the rear design. Available in two sizes, one 446 mm version and the super long, 638 mm version, allow you to precisely coordinate the new design concept with your own vehicle.



Specifically designed light guide system for a distinctive look and feel.



Dust tight housing and protected against temporary submersion in water.

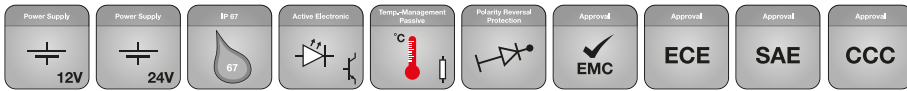


Extremely low energy consumption by combining efficient LEDs with precision lenses.



Two different sizes to choose from, 446 mm and the super-long, 638 mm, offer different design concept.

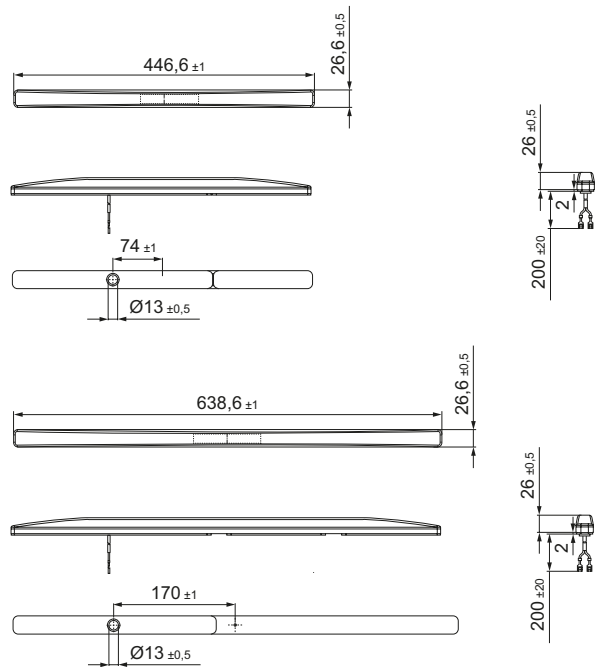
TECHNICAL INFORMATION



Technical specifications

Function	Auxiliary Brake Light	
Type approval	ECE, SAE, CCC	
Length	44.6 cm	63.8 cm
Operating voltage	12 V (9 – 16 V)	24 V (16 – 32 V)
Power consumption	1.7 W	2 W
Protection class	IP 67	
Specification	HN 67101 3.1 and 4.1	
Design life	15,000 h	
Connection	6.3 mm receptacles	

Technical drawing and hole pattern



RANGE OVERVIEW

Connection	Part number	Length	Voltage	Packing
200 mm harness with 6.3 mm receptacles	2DA 012 596-001 2DA 012 596-007	446.6 mm	12 V	1 piece 80 pieces
200 mm harness with 6.3 mm receptacles	2DA 012 596-011 2DA 012 596-017	446.6 mm	24 V	1 piece 80 pieces
200 mm harness with 6.3 mm receptacles	2DA 012 596-021 2DA 012 596-027	638.6 mm	12 V	1 piece 60 pieces
200 mm harness with 6.3 mm receptacles	2DA 012 596-031 2DA 012 596-037	638.6 mm	24 V	1 piece 60 pieces

APPLICATION EXAMPLES

