



BRIEF INFORMATION

LED side marker, position and end-outline marker lamp (345 600-...) with integrated reflex reflector

- For 12-volt and 24-volt applications
- High functional safety due to LED
- Innovative light guide design
- 1:1 interchangeability of 963 639 family

PRODUCT FEATURES

Upward compatibility

This side marker, position and end-outline marker lamp is 1:1 interchangeable with the 963 639 product family.

State-of-the-art design language

The innovative light guide technology features for the first time in a side marker lamp. This produces a streamlined, linear night design which integrates perfectly into the form of the vehicle. The homogenous light distribution is groundbreaking.

Sealed to withstand high-pressure cleaning

Tested in line with HELLA standard 67101, IP 6K9K, protected against high-pressure and steam cleaning.

Failsafe, true to the 'Fit & Forget' principle

The LED technology ensures outstanding reliability and vibration resistance. The lamp therefore has an exceptionally long design life.

Low energy consumption

The lamps combine efficient light-emitting diodes (LEDs) and precision lenses with light guide design to produce an optimum signal pattern with an exceptionally low power consumption.

A well-rounded product line

Alongside the 12 V and 24 V variants, a position lamp (PO) and end-outline marker lamps (UR) are available in the same design.

LED LIGHTING TECHNOLOGY

As a leading innovator in the field of automotive original equipment, HELLA sets standards:

Extremely low energy consumption

By combining efficient light-emitting diodes (LEDs) and precision optics, HELLA lights achieve the statutory light distribution with 85% less power consumption compared to bulbs!

No light-source replacement, no maintenance and extremely long service life due to optimum thermal management.

To increase light service life, the components are arranged optimized for temperature. This prevents overheating of the LEDs at extremely high temperatures. This thermal management maximizes the design life. The design life of the LEDs corresponds to that of the vehicle (depending on the operating temperature).

APPEALING NIGHT DESIGN



The innovative light guide optics produce a light line. In all side marker, position and end-outline marker lamp functions, this combines convincing, linear design with optimum visibility.

THE VERY LATEST PRODUCTION TECHNOLOGY

Quality by conviction

We work on our processes and technologies every day. This is effectively ensured by continuous further development of our manufacturing processes and production methods. Our HELLA standards reflect our underlying quality-oriented approach. This expectation is therefore reflected in every product.

Process reliability

Fully automated production guarantees outstanding quality in terms of air-tightness and fault rate. Our processes have been established across the entire production process. Our experience demonstrates: "only those who have their processes under control can guarantee high performance at all times".

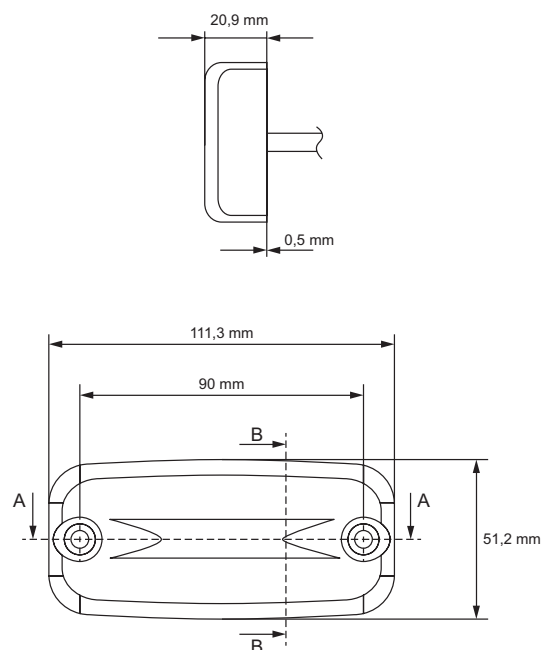
DESIGN OF LAMP



TECHNICAL DETAILS

Technical Data	
Type approval	☞ 5881
Operating voltage	12 V and 24 V
EMC approval	☞ 10R-04 0072
Functions	Position lamp, side marker lamp, end-outline marker lamp
Number of LEDs	2
Power consumption	0.6 W / 12 V 1.2 W / 24 V
Dimensions (L x W x H)	111.3 x 51.2 x 20.9 mm
Operational temperature	-40°C to +50°C
Protection class	IP 6K9K
Contacting	Stripped end / AMP-SUPERSEAL / 6.3 mm blade terminal
Assembly	Screwed through the lamp, 5.8 mm hole diameter
Specification	HN67101 Class 6.3
Polarity	Bipolar polarity reversal protection

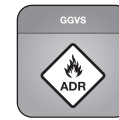
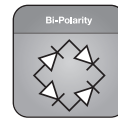
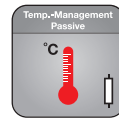
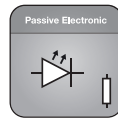
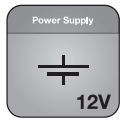
Dimensional sketch



APPLICATION EXAMPLES



RANGE OVERVIEW



Previous part number	New part number	Description	Power consumption	Support	PU
Side marker lamp					
2PS 963 639-001	2PS 345 600-001	500 mm cable, stripped end	0.6 W / 12 V	-	1
2PS 963 639-007	2PS 345 600-007	500 mm cable, stripped end	0.6 W / 12 V	-	12
2PS 963 639-011	2PS 345 600-011	500 mm cable, stripped end	1.2 W / 24 V	-	1
2PS 963 639-017	2PS 345 600-017	500 mm cable, stripped end	1.2 W / 24 V	-	12
2PS 963 639-021	2PS 345 600-021	4,000 mm / 500 mm cable, system connector, bracket angled backwards, AMP SUPERSEAL 2-pin with Y-type outlet	1.2 W / 24 V	Yes	1
2PS 963 639-027	2PS 345 600-027	4,000 mm / 500 mm cable, system connector, bracket angled backwards, AMP SUPERSEAL 2-pin with Y-type outlet	1.2 W / 24 V	Yes	20
2PS 963 639-031	2PS 345 600-031	4,500 mm cable, system connector, bracket angled backwards, AMP SUPERSEAL 2-pin	1.2 W / 24 V	Yes	1
2PS 963 639-037	2PS 345 600-037	4,500 mm cable, system connector, bracket angled backwards, AMP SUPERSEAL 2-pin	1.2 W / 24 V	Yes	20
2PS 963 639-041	2PS 345 600-041	4,000 mm / 500 mm cable, system connector, AMP SUPERSEAL 2-pin with Y-type outlet	1.2 W / 24 V	-	1
2PS 963 639-047	2PS 345 600-047	4,000 mm / 500 mm cable, system connector, AMP SUPERSEAL 2-pin with Y-type outlet	1.2 W / 24 V	-	20
2PS 963 639-051	2PS 345 600-051	4,500 mm cable, system connector, AMP SUPERSEAL 2-pin	1.2 W / 24 V	-	1
2PS 963 639-057	2PS 345 600-057	4,500 mm cable, system connector, AMP SUPERSEAL 2-pin	1.2 W / 24 V	-	20
2PS 963 639-061	2PS 345 600-061	500 mm cable, stripped end	0.6 W / 12 V	Yes	1
2PS 963 639-067	2PS 345 600-067	500 mm cable, stripped end	0.6 W / 12 V	Yes	20
2PS 963 639-071	2PS 345 600-071	500 mm cable, stripped end	1.2 W / 24 V	Yes	1
2PS 963 639-077	2PS 345 600-077	500 mm cable, stripped end	1.2 W / 24 V	Yes	20
2PS 963 639-091	2PS 345 600-091	5,500 mm / 500 mm cable, bracket angled backwards, AMP 6.3 mm, 0.8 mm blade terminal with Y-type outlet	1.2 W / 24 V	Yes	1
2PS 963 639-101	2PS 345 600-101	2,000 mm / 500 mm cable, system connector, AMP 2-pin, stripped end with Y-type outlet	1.2 W / 24 V	-	1
2PS 963 639-111	2PS 345 600-111	2,000 mm / 500 mm cable, system connector, AMP 2-pin, stripped end with Y-type outlet	1.2 W / 24 V	Yes	1
2PS 963 639-137	2PS 345 600-137	5,000 mm cable, stripped end	1.2 W / 24 V	-	20
2PS 963 639-147	2PS 345 600-147	10,000 mm cable, stripped end	1.2 W / 24 V	-	20
2PS 963 639-157	2PS 345 600-157	1,500 mm cable and system connector, AMP SUPERSEAL 2-pin	1.2 W / 24 V	Yes	20
2PS 963 639-167	2PS 345 600-167	1,500 mm cable, stripped end	1.2 W / 24 V	Yes	20
2PS 963 639-177	2PS 345 600-177	1,500 mm cable and base, stripped end	1.2 W / 24 V	-	20
2PS 963 639-197	2PS 345 600-197	1,500 mm cable, AMP SUPERSEAL 2-pin	1.2 W / 24 V	-	20
Tail lamp/end-outline marker lamp					
2TM 963 639-307	2TM 345 600-307	5,000 mm cable, stripped end	0.5 W / 12 V	-	20
2TM 963 639-317	2TM 345 600-317	5,000 mm cable, stripped end	1.0 W / 24 V	-	20
Position lamp					
2PG 963 639-401	2PG 345 600-401	500 mm encapsulated cable, stripped end	0.5 W / 24 V	-	1
2PG 963 639-411	2PG 345 600-411	5,000 mm encapsulated cable, stripped end	0.5 W / 24 V	-	1