



BRIEF INFORMATION

LED interior light for trailers

- System can be activated by means of motion sensor variant 2JA 012 557-001
- Ideal for use as a ceiling light in ambulances, driver cabs and storage spaces
- IP 54 degree of protection with and IP 67 without motion sensor

PRODUCT FEATURES

8 power LEDs

Ideal luminous efficiency with the use of 8 power LEDs and a lifetime of at least 50,000 hours. Homogeneous illumination with approx. 145 lux in the centre and approx. 125 lux at a distance of 0.6 m from the centre in all directions.

Glass-clear lens

Made of polycarbonate.

Mounting

Surface mounting using screws.

Extremely low design height

Ideal for flat installation spaces (16 mm/18 mm).

Multivolt

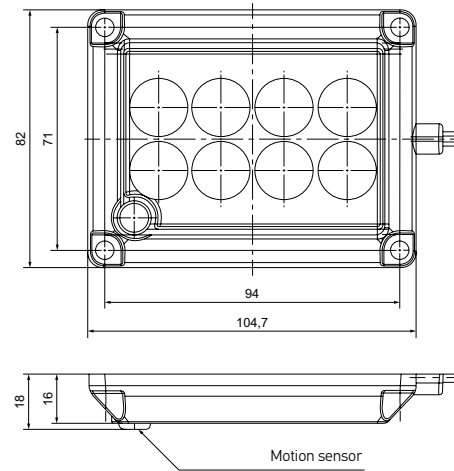
Multivolt circuits keep the light output constant over a voltage range of 10 to 31 V. This makes it possible to use the same HELLA LED interior light for both 12 V and 24 V applications. Multivoltage also compensates for voltage fluctuations which arise through the use of long cables, plug connections and within the vehicle electric system. Beyond this, HELLA multivolt circuits are protected against polarity reversal and voltage spikes, thereby ensuring safety even at low battery voltages.

TECHNICAL DETAILS

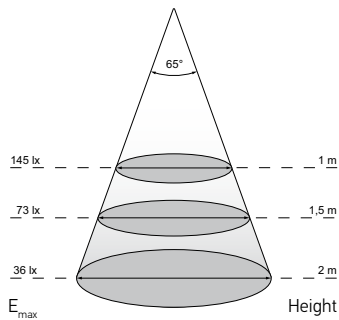
Technical data

Operating voltage	10–30 V
Illumination angle	65°
Light source	8 power LEDs
Orientation of light source	Fixed
Illuminance at 1 m	145 lux
Luminous flux	300 lm
Lens	Glass-clear, polycarbonate
Power consumption	12 V / 3.3 W, 0.28 A 24 V / 3.3 W, 0.14 A
Certificates	EMC
Operating temperature	-40°C to +85°C

Dimensional sketch

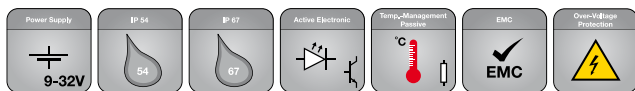


LIGHT DISTRIBUTION



LED interior light for trailers

RANGE OVERVIEW



Product image	Motion sensor	Electrical connection	LED colour	IP degree of protection	Part number
	Yes	2,400 mm cable	5,700 K	54	2JA 012 557-001
	No	3,400 mm cable	5,700 K	67	2JA 012 557-011