



To the product video

BRIEF INFORMATION

Compact full-LED rear lamp 328 630

- 5 light functions – 100% LED-technology
- Outstanding homogeneous tail light using "Glowing Body"
- Dynamic / wiping direction indicator
- Robust and compact design for tough demands

PRODUCT FEATURES

The innovative full-LED rear lamp 328 630 from HELLA covers all five light functions required at the rear of the vehicle using exclusively LEDs.

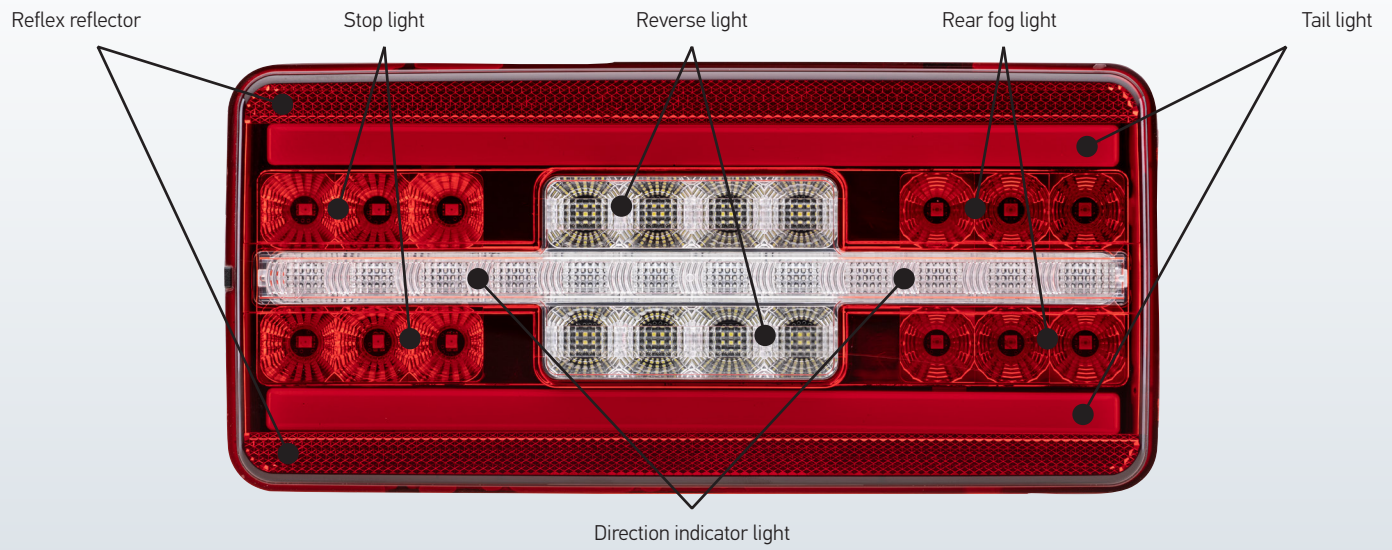
The tail light's "Glowing Body" technology is particularly eye-catching. The full-LED rear lamp 328 630 produces two homogeneous light strips. Thanks to this technology, the tail light also looks very pleasant to the traffic behind.

The full-LED rear lamp with installation dimensions of only 225 x 105 x 35 mm requires very little space. Horizontal and vertical version offer maximum flexibility and freedom for design.

Both versions of the lamp generate an electronic ISO pulse for the direction indicator failure control. The horizontal version has a wiping direction indicator.

Extrem robustness is another feature of HELLA's LED lamps. The LED modules of the full-LED rear lamp 328 630 are completely sealed. The two colour (red and clear) polycarbonate cover lens is impact resistant and withstands tough every day use with ease.

LIGHT FUNCTIONS



Tail light



Stop light



Reverse light



Rear fog light



Direction indicator light

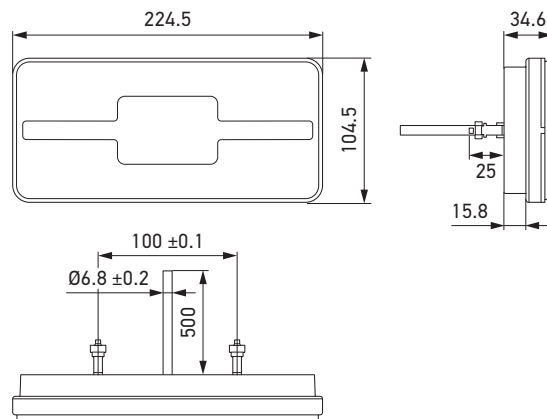
TECHNICAL DETAILS





Technical data

Operating voltage	Multi-voltage (12 / 24 V)		
Voltage range		12 V	24 V
	Tail-stop-direction indicator-reverse light	9–16 V	18–32 V
	Rear fog light	10.5–16 V	18–32 V
Current consumption		13.5 V	28 V
	Tail light	min. 131 mA max. 220 mA	min. 80 mA max. 128 mA
	Stop light	min. 91 mA max. 122 mA	min. 59 mA max. 77 mA
	Direction indicator light	min. 213 mA max. 320 mA	min. 120 mA max. 176 mA
	Reverse light	min. 194 mA max. 276 mA	min. 106 mA max. 150 mA
	Rear fog light	min. 139 mA max. 207 mA	min. 81 mA max. 118 mA
	Light function	Tail light, stop light, direction indicator light, reverse light, rear fog light and reflex reflectors	
Light source	Tail light: 30 LEDs Stop light: 6 LEDs Direction indicator light: 12 LEDs Reverse light: 8 LEDs Rear fog light: 6 LEDs		
Material	External lens: Polycarbonate		
Weight	420 g		
Protection class	IP 6K9K		
Type approval	ECE-R148 / GGVS / ADR		
EMC protection	ECE-R10		
Connection	500 mm cable with open ends		
Mechanical connection	2 x M6 stud bolt (length: 25 mm / distance: 100 mm)		

Dimensional sketch



PROGRAM OVERVIEW

Product image	Version	Mounting side	Direction indicator light	Part number
	Horizontal	Right and left*	Wiping	2VP 328 630-011**
	Vertical	Right and left	Flashing	2VP 328 630-021**

* The lamp can be rotated 180°, making it suitable for left and right surface mounting.

** The lamps are also available in larger packaging units upon request.

ACCESSORIES

Description	Part number
Basic control unit	
12 V	5DS 227 488-001
24 V	5DS 227 488-101
Premium control unit	
12 V (1 stop light channel)	5DS 227 489-001
12 V (2 stop light channels)	5DS 227 489-011
24 V (1 stop light channel)	5DS 227 489-101